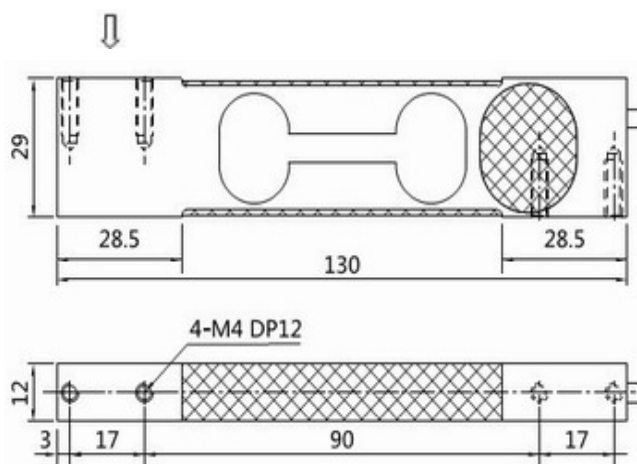


RoHS

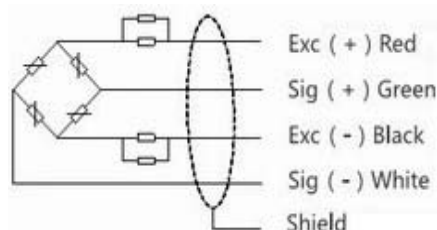
Features:

- * Comply with OIML R60 Standard
- * Aluminum Alloy Construction
- * High Accuracy
- * Used in Electronic Balance, Counting Scale, etc.
- * Max. Platform Size: 150×150mm



TK402 Specification:

Capacity	0.3, 0.5, 1, 2, 3(Kg)	Operating Temp. Range	-20 - + 60°C
Accuracy	C3, C4, C5	Recommended Excitation	5 - 12VDC
Output Sensitivity	1.3±10%mv/v	Max. Excitation Voltage	18VDC
Zero Balance	±5%F.S.	Safe Overload	150%F.S.
Combined Error	±0.02%F.S.	Ultimate Overload	200%F.S.
Creep in 30 Minutes	±0.01%F.S.	Insulation Resistance	≥2000MΩ(50VDC)
Linearity Error	±0.015%F.S.	Cable Length	φ4mm*250mm
Repeatability Error	±0.015%F.S.	Protection Class	IP65
Hysteresis Error	±0.01%F.S.	Wiring Code (4-wire, Braid shielded, PVC Cable):	
Input Resistance	405±10Ω		
Output Resistance	350±3Ω		
Temp. Effect on Sensitivity	±0.02%F.S./10°C		
Temp. Effect on Zero	±0.03%F.S./10°C		
Compensated Temp. Range	-10 - + 40°C		



Note:

- * Size, Capacity and Thread Type Could be Customized according to your requirement.
- * All specifications subject to change without notice, please confirm before order.