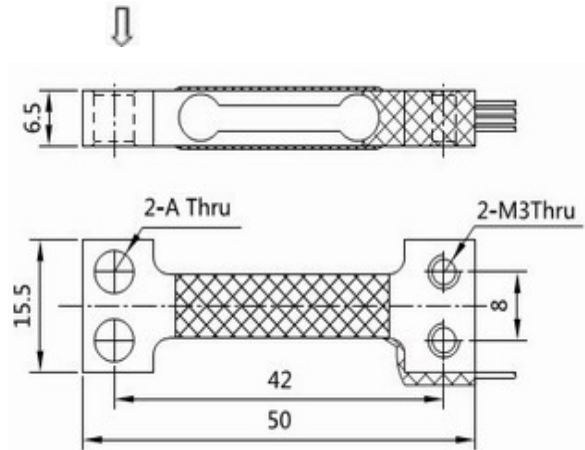




### Features:

- \* Aluminum Alloy Construction
- \* Miniature Structure
- \* Used in Electronic Balance, kitchen Scales, etc.

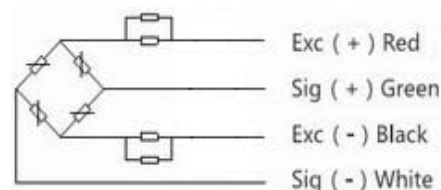


### RoHS

TYPE	A
TA605	5.2
TA605B	3.2

### TA605 TA605B Specification:

Capacity	0.15, 0.2, 0.3, 0.5, 1(Kg)	Operating Temp. Range	-20 - +60°C
Accuracy	C1	Recommended Excitation	≤6VDC
Output Sensitivity	±0.1mv/v	Max. Excitation Voltage	6VDC
Zero Balance	±5%F.S.	Safe Overload	150%F.S.
Combined Error	±0.05%F.S.	Ultimate Overload	200%F.S.
Creep in 30 Minutes	±0.05%F.S.	Insulation Resistance	≥2000MΩ(50VDC)
Linearity Error	±0.05%F.S.	Cable Length	φ0.8mm*200mm
Repeatability Error	±0.05%F.S.	Protection Class	IP65
Hysteresis Error	±0.05%F.S.	Wiring Code (4-color wires):	
Input Resistance	1130±20Ω		
Output Resistance	1000±10Ω		
Temp. Effect on Sensitivity	±0.05%F.S./10°C		
Temp. Effect on Zero	±2%F.S./10°C		
Compensated Temp. Range	-		



### Note:

- \* Size, Cable Length, Capacity and Thread Type Could be Customized according to your requirement.
- \* All specifications subject to change without notice, please confirm before order.