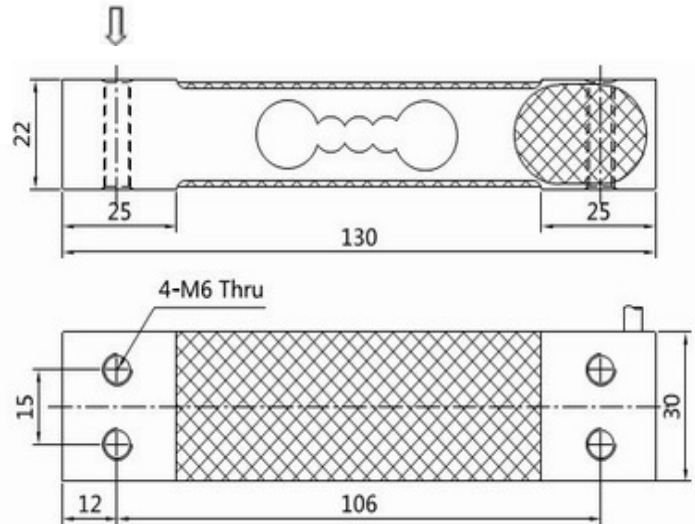




**Features:**

- \* Comply with OIML Standard
- \* Aluminum Alloy Construction
- \* High Accuracy
- \* Used in Price Computing Scales, Counting Scale and Weighing Scales, etc.
- \* Max. Platform Size: 250×350mm



RoHS

**TB201 Specification:**

Capacity	3, 6, 10, 15, 20, 30, 40, 50 (Kg)		
Accuracy	C4-C5	Operating Temp. Range	-20 - + 60°C
Output Sensitivity	2.0±10%mv/v	Recommended Excitation	5 - 12VDC
Zero Balance	±5%F.S.	Max. Excitation Voltage	18VDC
Combined Error	±0.02%F.S.	Safe Overload	150%F.S.
Creep in 30 Minutes	±0.02%F.S.	Ultimate Overload	200%F.S.
Linearity Error	±0.015%F.S.	Insulation Resistance	≥ 5000MΩ(50VDC)
Repeatability Error	±0.01%F.S.	Cable Length	φ4mm*400mm
Hysteresis Error	±0.01%F.S.	Protection Class	IP66
Input Resistance	405±10Ω	<b>Wiring Code:</b>	
Output Resistance	350±3Ω		
Temp. Effect on Sensitivity	±0.02%F.S./10°C		
Temp. Effect on Zero	±0.02%F.S./10°C		
Compensated Temp. Range	-10 - + 40°C		

**Note:**

- \* Cable Length, Capacity and Thread Type Could be Customized according to your requirement.
- \* All specifications subject to change without notice, please confirm before order.