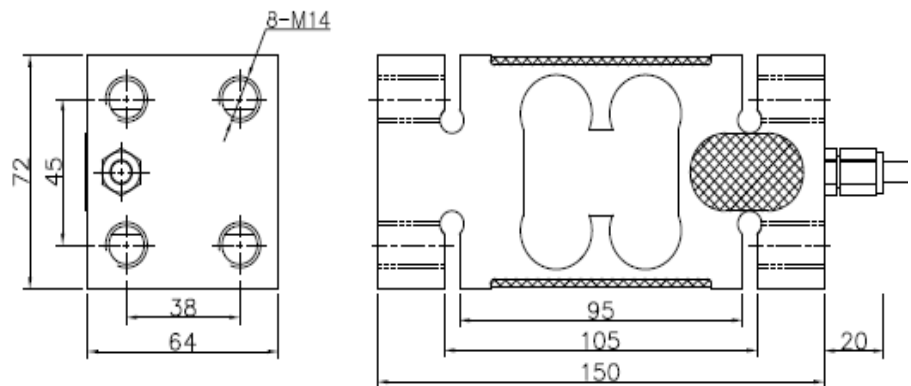


Features:

- * Comply with OIML Standard
- * Alloy Steel Construction
- * High Accuracy
- * Used in Platform Scales, Packing Machines, etc.
- * Max. Platform Size: 1000×1000mm

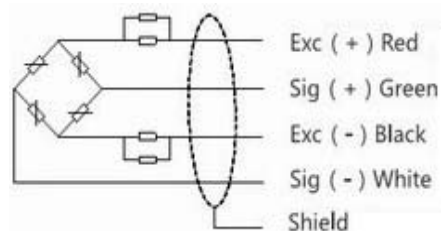


RoHS



TD337 Specification:

Capacity	100, 150, 250, 500, 750, 1000, 1500, 2000(Kg)	Operating Temp. Range	-20 - + 60°C
Accuracy	C4	Recommended Excitation	5 - 12VDC
Output Sensitivity	2.0±0.015mv/v	Max. Excitation Voltage	15VDC
Zero Balance	±1%F.S.	Safe Overload	150%F.S.
Combined Error	±0.02%F.S.	Ultimate Overload	200%F.S.
Creep in 30 Minutes	±0.02%F.S.	Insulation Resistance	≥ 5000MΩ(50VDC)
Linearity Error	±0.02%F.S.	Cable Length	φ6mm*3000mm
Repeatability Error	±0.019%F.S.	Protection Class	IP66
Hysteresis Error	±0.019%F.S.	Wiring Code (4-wire, Braid shielded, PVC Cable):	
Input Resistance	400±8Ω		
Output Resistance	350±4Ω		
Temp. Effect on Sensitivity	±0.02%F.S./10°C		
Temp. Effect on Zero	±0.03%F.S./10°C		
Compensated Temp. Range	-10 - + 40°C		



Note:

- * Size, Capacity and Thread Type Could be Customized according to your requirement.
- * All specifications subject to change without notice, please confirm before order.