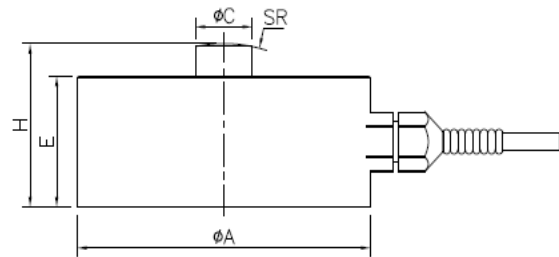
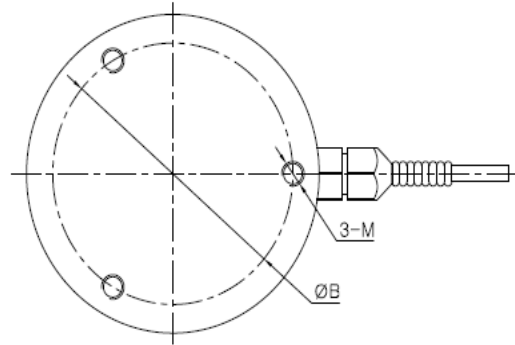


Features:

- * Comply with OIML Standard
- Stainless Steel Construction
- * Used in force testing applications with limited space.



Rated Capacity	ØA	ØB	ØC	H	E	M	SR
300~1,000 Kg	78	64	15	40	32	M6	40
2,000~10,000 Kg	82	66	22	44	32	M8	50

TC313S Specification:

Capacity	300, 500, 1,000, 2,000, 3,000, 5,000, 10,000(Kg)		
Accuracy	C3	Operating Temp. Range	-20 - + 60°C
Output Sensitivity	2.0±0.5%mv/v	Recommended Excitation	≤10VDC
Zero Balance	±1%mv/v	Max. Excitation Voltage	10VDC
Combined Error	±0.03%F.S.	Safe Overload	120%F.S.
Creep in 30 Minutes	±0.03%F.S.	Ultimate Overload	150%F.S.
Linearity Error	±0.03%F.S.	Insulation Resistance	≥5000MΩ(50VDC)
Repeatability Error	±0.03%F.S.	Cable Length	φ6mm*3000mm
Hysteresis Error	±0.03%F.S.	Protection Class	IP65
Input Resistance	380±9Ω/750±14Ω	Wiring Code (4-wire, Braid shielded, PVC Cable):	
Output Resistance	350±4Ω/750±6Ω		
Temp. Effect on Sensitivity	±0.04%F.S./10°C	Exc (+) Red	
Temp. Effect on Zero	±0.04%F.S./10°C	Sig (+) Green	
Compensated Temp. Range	-	Exc (-) Black	
		Sig (-) White	
		Shield	

Note:

- * Size, Cable Length, Capacity and Thread Type Could be Customized according to your requirement.
- * All specifications subject to change without notice, please confirm before order.